



Mortice Locks Specification (German Standard):

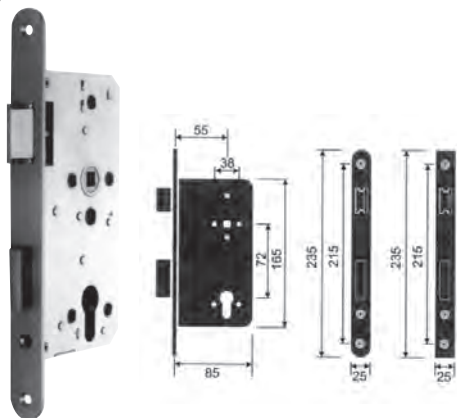
| SPECIFICATION | DESCRIPTION |
|---------------|---|
| Finishes | Lock Face Plate and Strike Plate are supplied in SS/PB/PC finish as specified by the engineer. Other finishes on request |
| Lock body | Rust proofed and Epoxy Powder coated or Galvanised |
| Latch Bolt | Easy gliding latch bolt, made from stainless steel, is reversible without opening lock case. Latch operated with lever handle/knob or by the third turn of the key. Spindle/Latch follower is of 8x8mm International standard |
| Dead bolt | When fully engaged Dead Bolt extends to 20mm long. Dead Bolt is Double throw operated by turning the key/thumb turn |
| Centers | From the center of the lever handle follower to the keyhole is 72mm. |
| Backset | For Standard Backsets please refer to relevant table for each lock, other backsets available on request. |
| Warranty | A limited 10 years warranty is available from the date of supply of Trend locks, subject to the compliance of installation instructions, natural wear and tear of the items selected and fixing of approved furniture |

Mortice Locks Specification (Italian Standard):

| SPECIFICATION | DESCRIPTION |
|------------------|---|
| Finishes | Lock Face Plate and Strike Plate are supplied in SS/PB/PC finish as specified by the engineer. Other finishes on request |
| Lock body | Rust proofed and Epoxy Powder coated |
| Latch Bolt | Easy gliding latch bolt, made from stainless steel, is reversible without opening lock case. Latch operated with lever handle/knob or by the third turn of the key. Spindle/Latch follower is of 8x8mm International standard |
| Dead bolt | When fully engaged Dead Bolt extends to 20mm long. Dead Bolt is Double throw operated by turning the key/thumb turn |
| Centers | From Center of Lever handle follower to the keyhole is 85mm. |
| Backset | For Standard Backsets please refer table for each lock, other backsets for special projects are available on request |
| Warranty | A limited 10 years warranty is available from the date of supply of Trend locks, subject to the compliance of installation instructions, natural wear and tear of the items selected and fixing of approved furniture |
| Anti-Thrust bolt | Anti thrust bolt protects latch bolt against abusive pressure on the tip of the latch bolt |

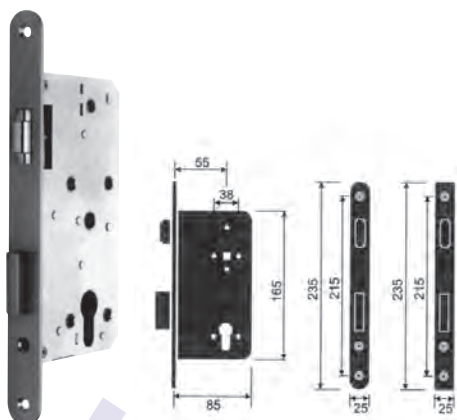


trend Architectural Hardware German Standard Locks:



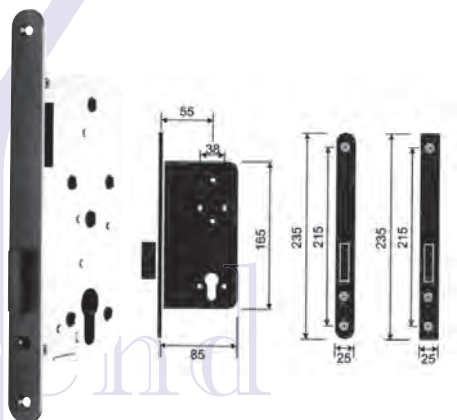
Ref.: 02-7200ES Mortice Cylinder Sash Lock Case

| Product Ref. | Backset | Lock Width | Finishes available |
|--------------|---------|------------|--------------------|
| 02-7255ES | 55 | 75 | SS, PS, PB, SB |
| 02-7260ES | 60 | 80 | SS, PS, PB, SB |
| 02-7265ES | 65 | 85 | SS, PS, PB, SB |



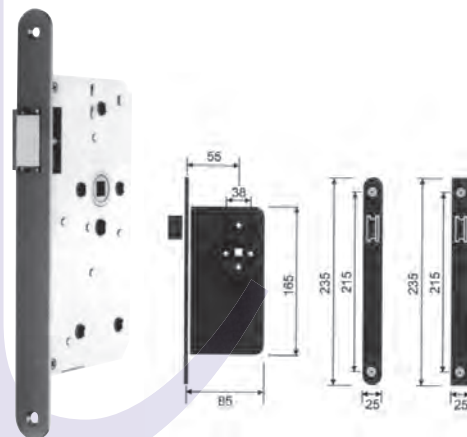
Ref.: 02-7200ER Mortice Cylinder Roller Bolt Dead Lock Case

| Product Ref. | Backset | Lock Width | Finishes available |
|--------------|---------|------------|--------------------|
| 02-7255ER | 55 | 75 | SS, PS, PB, SB |
| 02-7260ER | 60 | 80 | SS, PS, PB, SB |
| 02-7265ER | 65 | 85 | SS, PS, PB, SB |



Ref.: 02-7200ED Mortice Cylinder Dead Lock Case

| Product Ref. | Backset | Lock Width | Finishes available |
|--------------|---------|------------|--------------------|
| 02-7255ED | 55 | 75 | SS, PS, PB, SB |
| 02-7260ED | 60 | 80 | SS, PS, PB, SB |
| 02-7265ED | 65 | 85 | SS, PS, PB, SB |

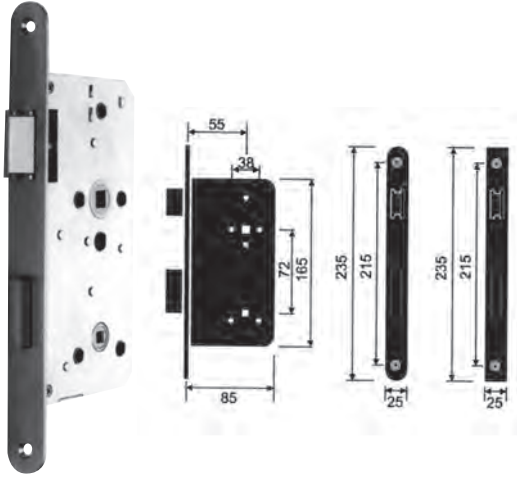


Ref.: 02-7200LA Mortice Latch

| Product Ref. | Backset | Lock Width | Finishes available |
|--------------|---------|------------|--------------------|
| 02-7255LA | 55 | 75 | SS, PS, PB, SB |

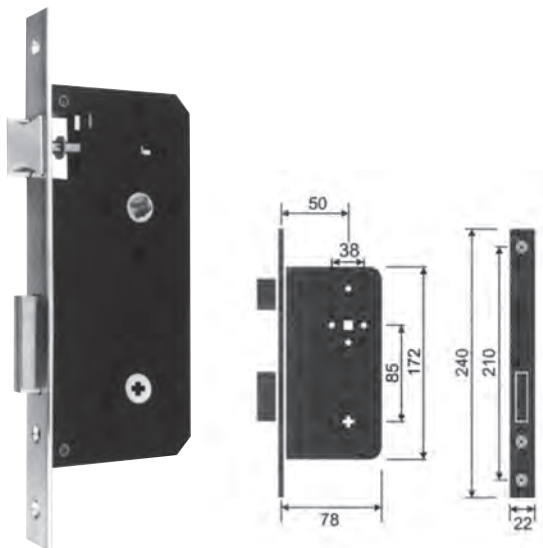
trend Architectural Hardware

Mortice Bathroom Locks:



Ref.: 02-7200WC Mortice Bathroom Sash Lock

| Product Ref. | Backset | Lock Width | Finishes available |
|--------------|---------|------------|--------------------|
| 02-7255WC | 55 | 75 | SS, PS, PB, SB |
| 02-7260WC | 60 | 80 | SS, PS, PB, SB |

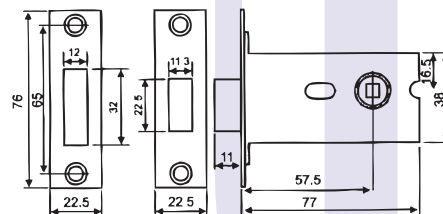


Ref.: 02-8500WC Mortice Bathroom Sash Lock

| Product Ref. | Backset | Lock Width | Finishes available |
|--------------|---------|------------|--------------------|
| 02-8545WC | 45 | 73 | SS, PS, PB, SB |
| 02-8560WC | 60 | 88 | SS, PS, PB, SB |

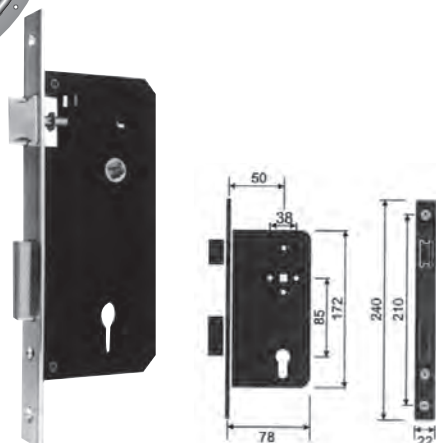


02-80401



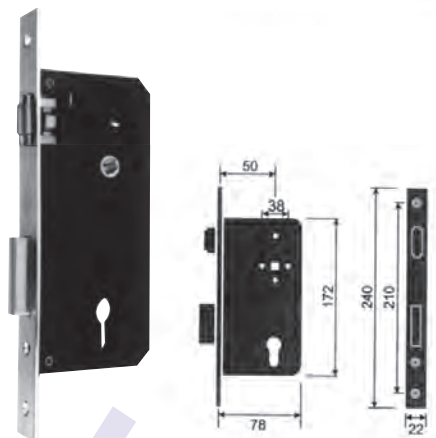


trend Architectural Hardware Italian Standard Locks:



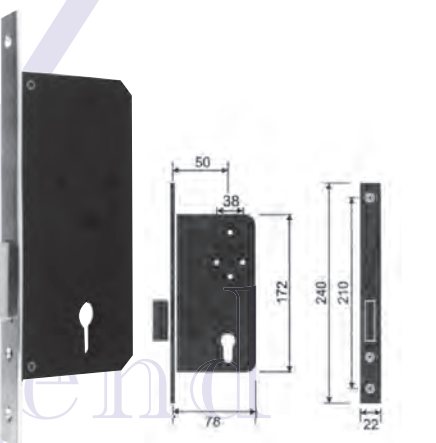
Ref.: 02-8500ES Mortice Cylinder Sash Lock Case

| Product Ref. | Backset | Lock Width | Finishes available |
|--------------|---------|------------|--------------------|
| 02-8545ES | 45 | 73 | SS, PS, PB, SB |
| 02-8555ES | 55 | 83 | SS, PS, PB, SB |
| 02-8560ES | 60 | 88 | SS, PS, PB, SB |
| 02-8565ES | 65 | 93 | SS, PS, PB, SB |



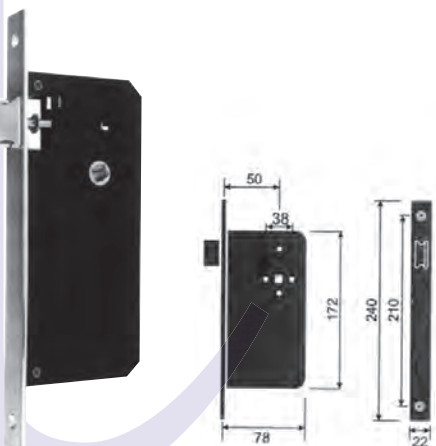
Ref.: 02-8500ED Mortice Cylinder Dead Lock Case

| Product Ref. | Backset | Lock Width | Finishes available |
|--------------|---------|------------|--------------------|
| 02-8545ED | 45 | 73 | SS, PS, PB, SB |
| 02-8555ED | 55 | 83 | SS, PS, PB, SB |
| 02-8560ED | 60 | 88 | SS, PS, PB, SB |
| 02-8565ED | 65 | 93 | SS, PS, PB, SB |



Ref.: 02-8500ER Mortice Cylinder Roller Bolt Dead Lock Case

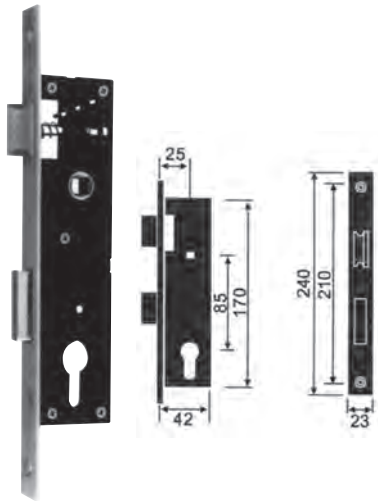
| Product Ref. | Backset | Lock Width | Finishes available |
|--------------|---------|------------|--------------------|
| 02-8545ER | 45 | 73 | SS, PS, PB, SB |
| 02-8555ER | 55 | 83 | SS, PS, PB, SB |
| 02-8560ER | 60 | 88 | SS, PS, PB, SB |
| 02-8565ER | 65 | 93 | SS, PS, PB, SB |



Ref.: 02-8500LA Mortice Latch

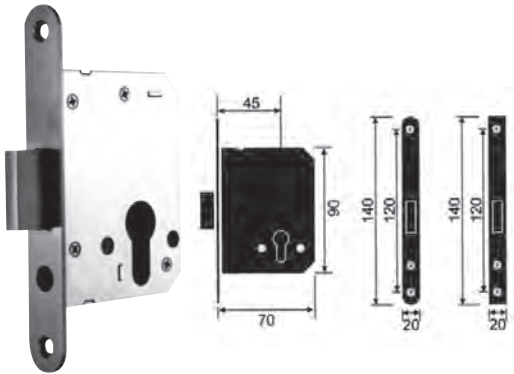
| Product Ref. | Backset | Lock Width | Finishes available |
|--------------|---------|------------|--------------------|
| 02-8545LA | 45 | 73 | SS, PS, PB, SB |

trend Architectural Hardware - Mortice Locks:



Ref.: 02-8500 Mortice Cylinder Lock Case

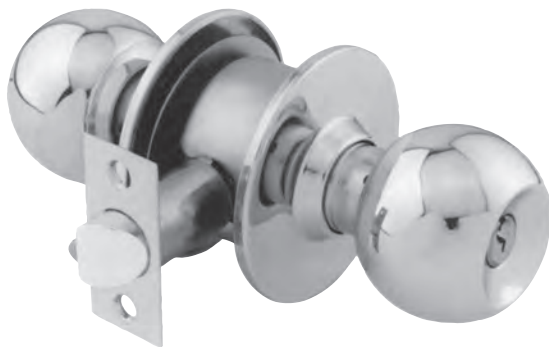
| Product Ref. | Backset | Lock Width | Finishes available |
|--------------|---------|------------|--------------------|
| 02-8525ES | 25 | 42 | SS, PS, PB, SB |
| 02-8525ED | 25 | 42 | SS, PS, PB, SB |
| 02-8525ER | 25 | 42 | SS, PS, PB, SB |



Mortice Cylinder Dead Lock Case

| Product Ref. | Backset | Lock Width | Finishes available |
|--------------|---------|------------|--------------------|
| 02-7045ED | 45 | 70 | SS, PS, PB, SB |

Trend Architectural Hardware (UL Standard Knob Sets):



Ref.: 02-8800KE Entrance door Knob Set

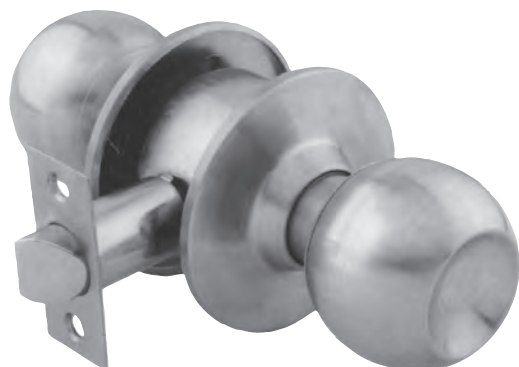
| Product Ref. | Backset | Finishes |
|--------------|---------|------------|
| 02-8860KE | 60 | SS, PS, PB |
| 02-8870KE | 70 | SS, PS, PB |

Ref.: 02-8800KL Passage Knob Set

| Product Ref. | Backset | Finishes |
|--------------|---------|------------|
| 02-8860KL | 60 | SS, PS, PB |
| 02-8870KL | 70 | SS, PS, PB |

Ref.: 02-8800KWC Privacy/Bathroom Knob Set

| Product Ref. | Backset | Finishes |
|--------------|---------|------------|
| 02-8860KWC | 60 | SS, PS, PB |
| 02-8870KWC | 70 | SS, PS, PB |



Ref.: 02-8800KD Double Cylinder Knob Set

| Product Ref. | Backset | Finishes |
|--------------|---------|------------|
| 02-8860KD | 60mm | SS, PS, PB |
| 02-8870KD | 70mm | SS, PS, PB |



Architectural Hardware - Cylinders:



03-3100 Double Cylinder



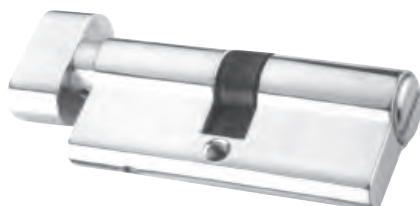
03-3570 Rim Cylinder.



03-3300 Thumb Turn Cylinder



03-3560 Round Cylinder

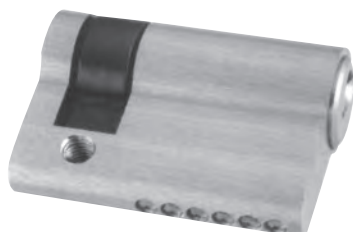


03-3970 Privacy Cylinder

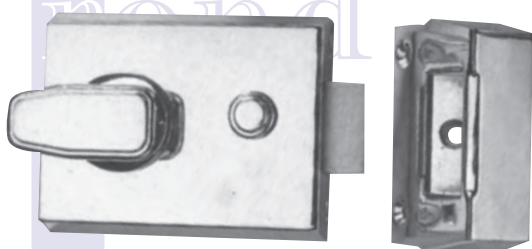


03-3590

Sizes available:
25mm, 30mm, 40mm, 50mm, 60mm



03-3520 Single Cylinder



02-80000 Rim Nicht Latch



Master Keying:

All above cylinders can be under the same master key system.

Finishes of Cylinders:

Trend Cylinders are available in Satin Nickel (SN), Polished Chrome (CP), Polished Brass (PB) and Gold Plated (GP) finishes. Special finishes such as RAL or BS colour coated finishes are available on request.

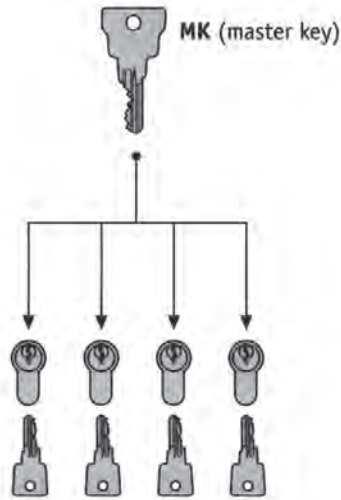
Cylinder Lengths:

Trend cylinders can be supplied to suit most door and furniture thicknesses. However stock cylinders are available as follows:

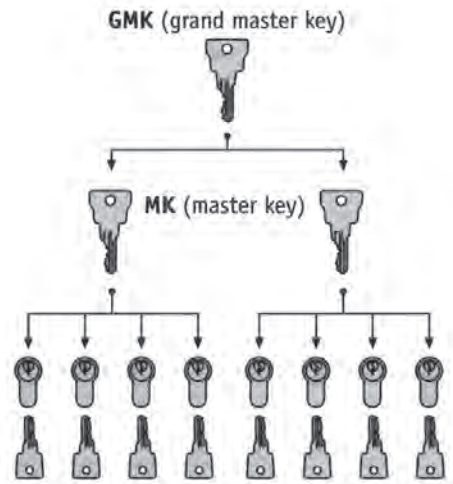
Double cylinders and Thumb turn cylinders are available in 51mm, 61mm, 71mm, 81mm and 91mm long. Single cylinders are available in 41mm and 51mm lengths.

trend Architectural Hardware

Master Key Systems:



Simple Master Key System

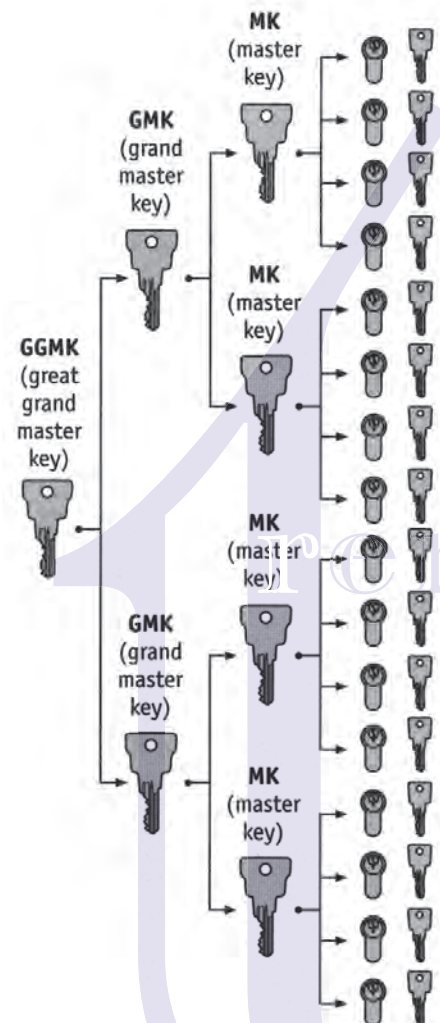


Grand Master Key System

Master Key Systems Supplied:

All trend cylinders can be supplied with following master key systems:

- Simple Master / straight master key system.
- Grand master key system
- Great grand master key system
- Construction key system
- Central locking system
- Keyed alike system.



Great Grand Master Key System